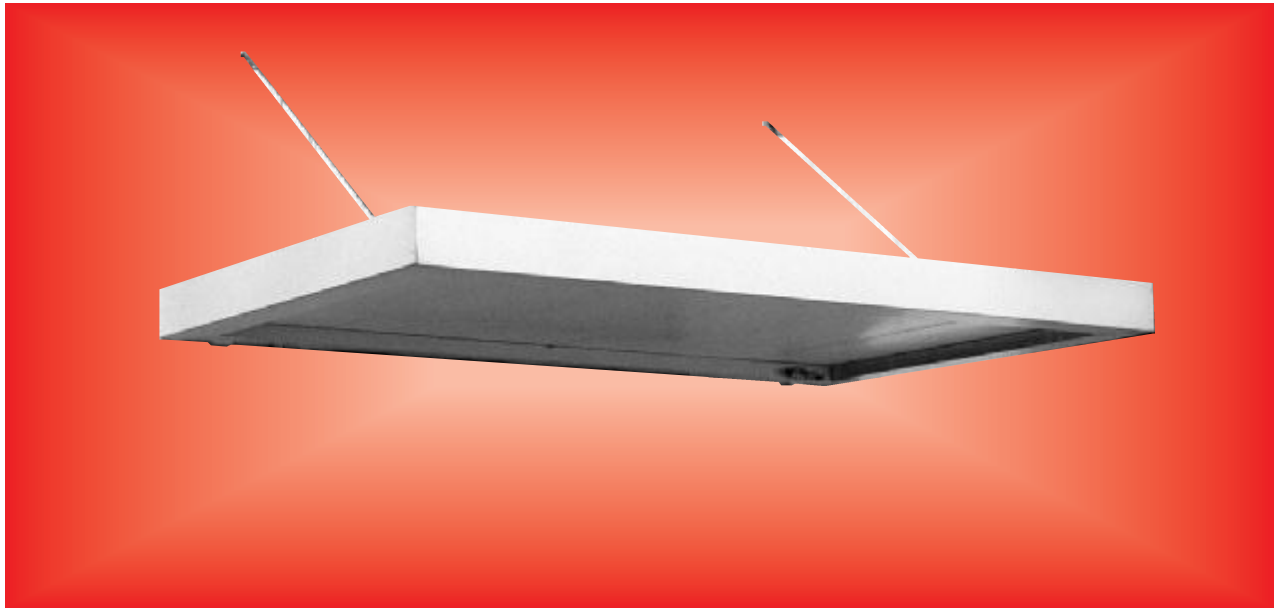




## PERSONNEL DOOR CANOPIES



...attractive and efficient while eliminating the need and expense of drafting and manufacturing canopies as part of the building package.

### Construction

Canopies are constructed of 26 gauge material around an 18 gauge galvanized frame. Telescoping channels mount between girts on the interior of the building. Channels will accommodate girt spacing of up to 7'6". 1/2" threaded rod connects channels to canopy frame. All hardware necessary for installation is included.

### Design

Incorporates a flat soffit and an integral gutter drain. Canopy drains against building to the outside of the door jambs. Canopy can be installed in conjunction with any panel type or panel location. Units can be flashed together for continuous applications.

### Finish

26 gauge galvanized steel or aluminum. Unit can be painted after assembly to match most metal building colors to properly accent building trim.

### Standard Size

4'0" projection from face of wall, available in 4'6" width for single doors and 7'6" width for double doors.

### Loading

4'6" wide canopy rated for 55#PSF gravity loading and 49# PSF wind uplift = 114 M.P.H. if canopy is hung under 20' from ground. (Optional 100#PSF available upon request. 7'6" wide canopy rated for 55#PSF gravity loading and 38# PSF wind uplift = 100 M.P.H. if canopy is hung under 20' from ground. (Optional 100#PSF available upon request.

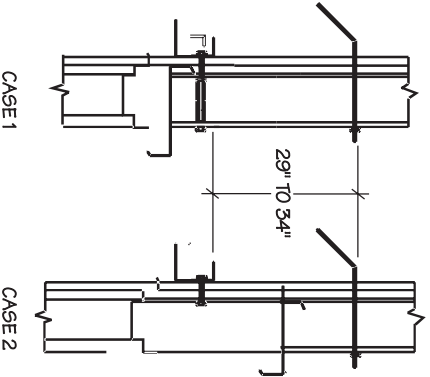
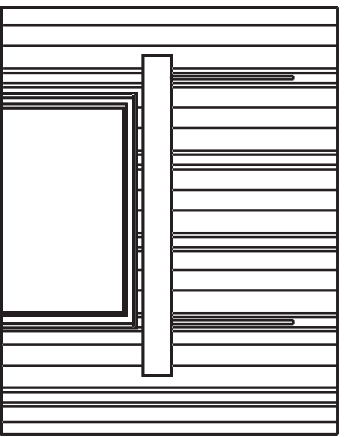
An efficient and practical canopy for personnel doors ships as a complete unit, ready for installation. This canopy extends 4' from the wall and comes in two standard widths: 4'6" for single doors and 7'6" for double doors. Integral framing is 18 gauge galvanized steel with telescoping channel for interior of building for girt spacing up to 7'6". Design incorporates a flat

soffit and an integral gutter drain. Finishes are available in 26 gauge galvanized steel or aluminum and can be painted before shipment to match any color to properly accent building trim. Unit comes with all necessary hardware for mounting. Canopies mount against any type of wall panel or masonry wall.

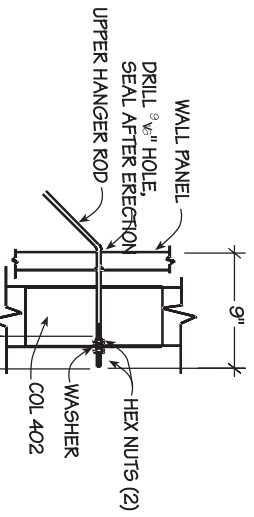
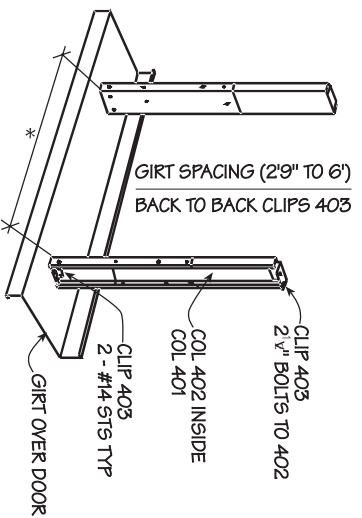
**“Innovation. New Technology. Better Products.”**

18933 Aldine Westfield • Houston, TX 77073 • Phone 281-443-9065 • Fax 291-443-9064 • 888-GO-RIGID • [www.rigidbuilding.com](http://www.rigidbuilding.com)

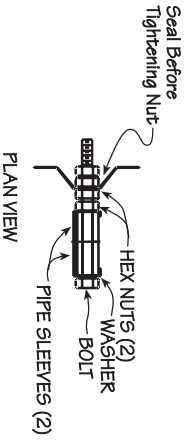
\* 4@4" X 4" CANOPY 3@1" Center to Center  
 \* 7@4" X 4" CANOPY 8@1" Center to Center



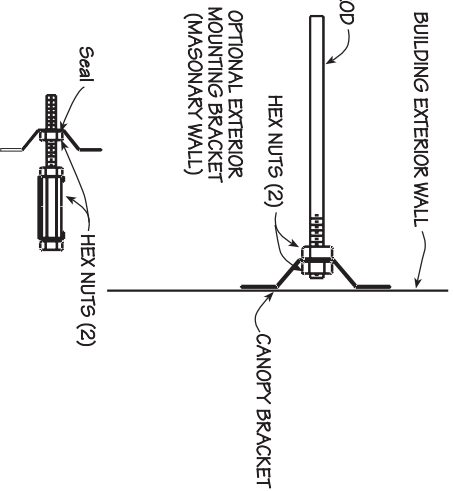
DETAIL 1: INSTALL SUPPORT COLUMNS



DETAIL 2: INSTALL HANGER ROD 404

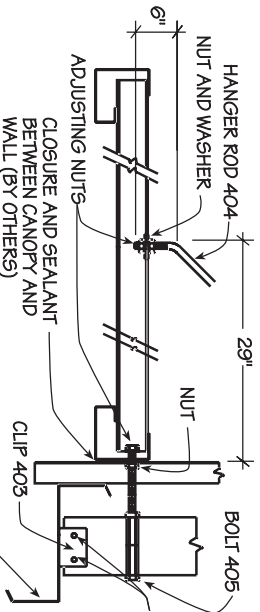


DETAIL 3

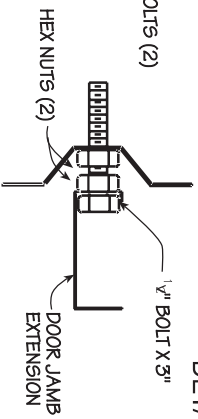


PLAN VIEW

DETAIL 4: INSTALL LOWER BOLTS 405



DETAIL 5: INSTALL CANOPY SUPPORT RODS



DETAIL 6

	DATE: 3/29/00
	TITLE: FIELD ERECTION PROCEDURE
PART: CANOPY	
CP-445	